



Say-Core, Inc.

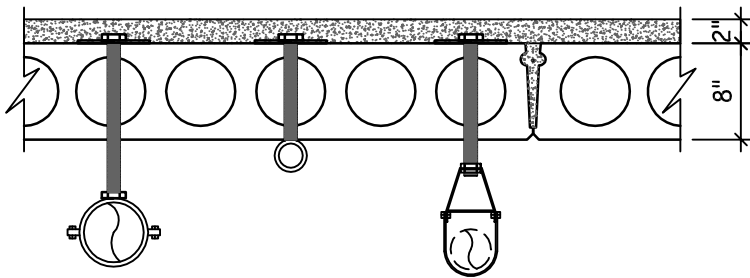
P.C.I. Certified Plant

Manufacturers of Precast Concrete Hollow-Core Plank

132 BLOCK ROAD
PORTAGE, PA 15946

www.saycore.com
draftingsaycore@hotmail.com

(814) 736-8018 OFFICE
(814) 736-8485 FAX

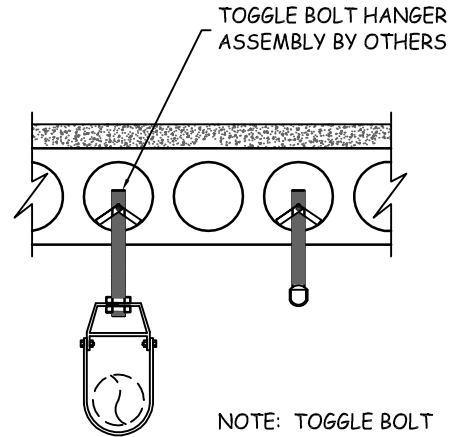


NOTE: HANGER TYPE AND LOCATION BY OTHERS

TYP. SECTION

SCALE: 3/4"=1'

11

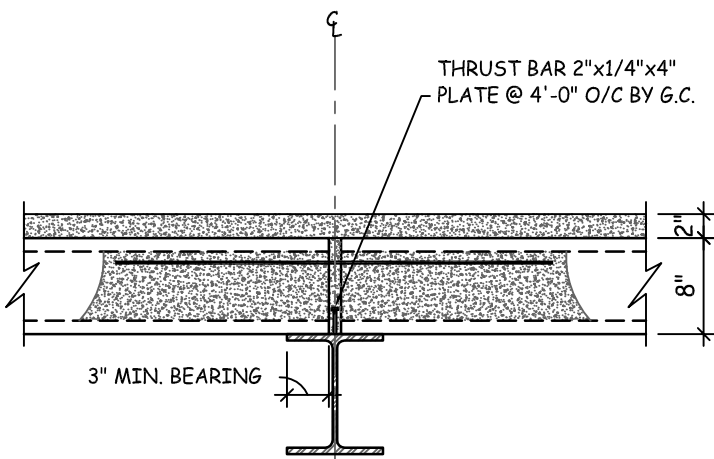


NOTE: TOGGLE BOLT WEIGHT LIMIT AS PER HANGER MANUFACTURER LIMITS.

TYP. SECTION

SCALE: 3/4"=1'

12



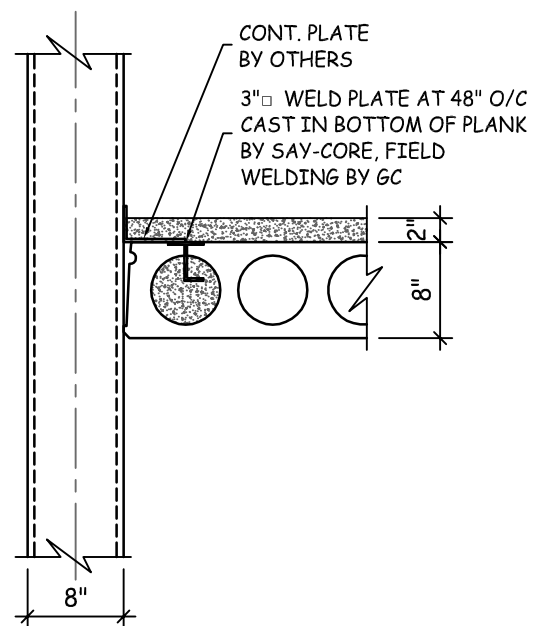
3" MIN. BEARING

THRUST BAR 2"x1/4"x4"
PLATE @ 4'-0" O/C BY G.C.

TYP. SECTION

SCALE: 3/4"=1'

13



CONT. PLATE
BY OTHERS

3" \square WELD PLATE AT 48" O/C
CAST IN BOTTOM OF PLANK
BY SAY-CORE, FIELD
WELDING BY GC

TYP. SECTION

SCALE: 3/4"=1'

14