



# Say-Core, Inc.



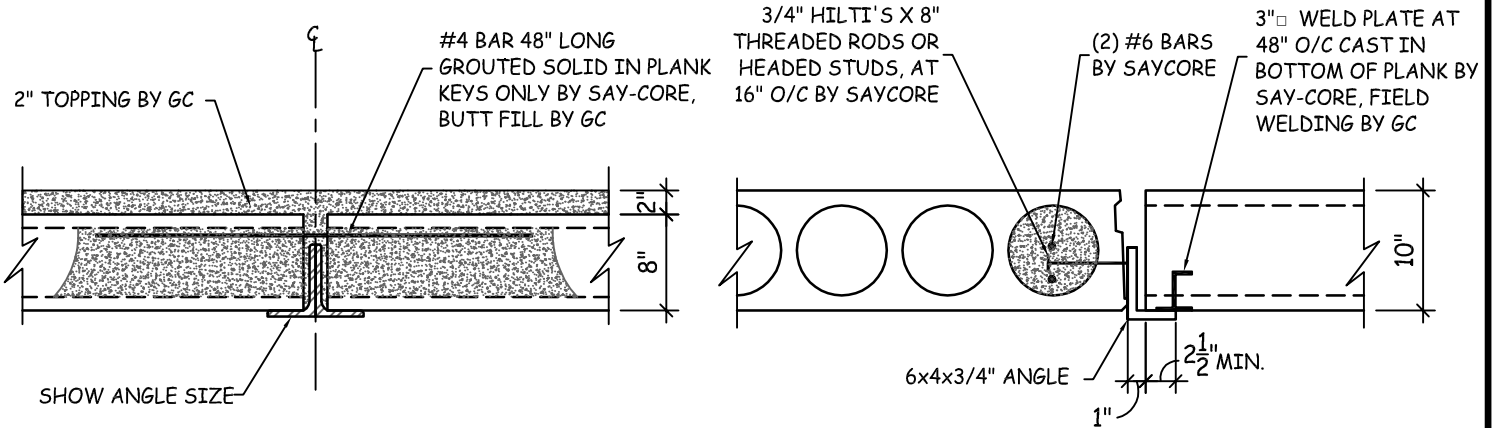
P.C.I. Certified Plant

**Manufacturers of Precast Concrete Hollow-Core Plank**

132 BLOCK ROAD  
PORTAGE, PA 15946

www.saycore.com  
draftingsaycore@hotmail.com

(814) 736-8018 OFFICE  
(814) 736-8485 FAX



TYP. SECTION

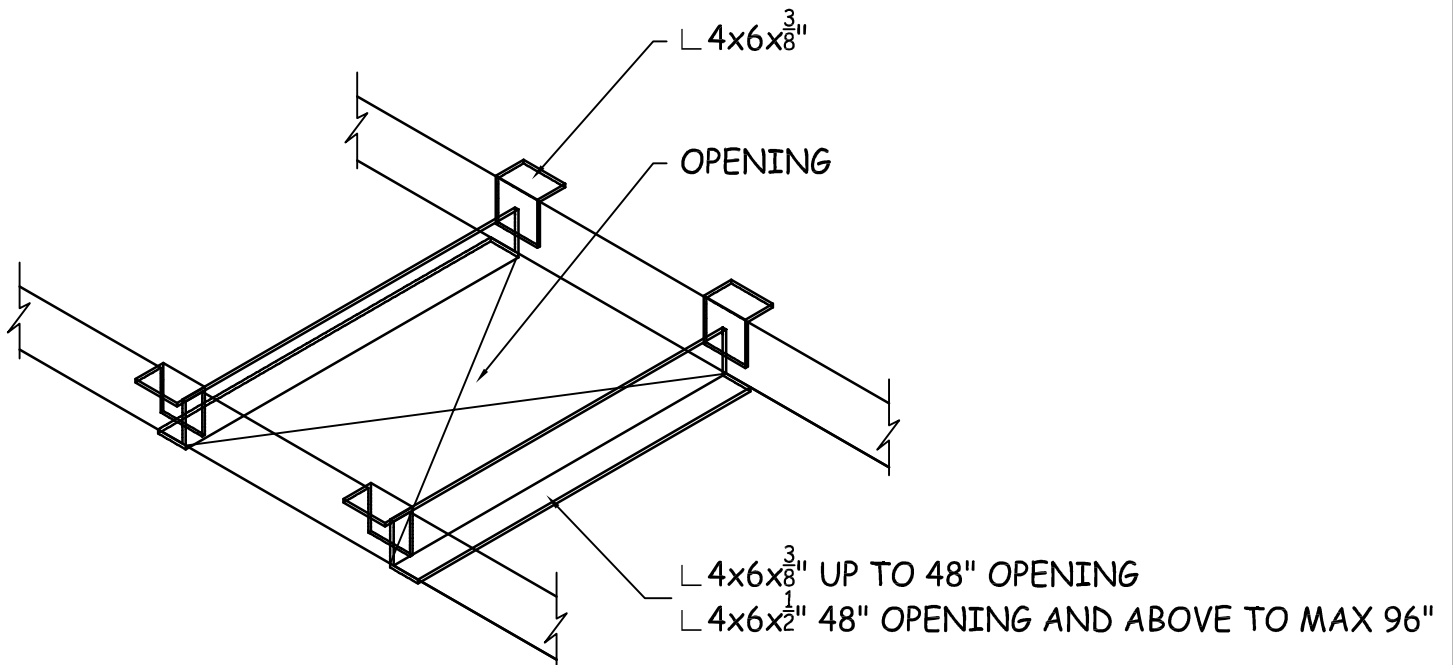
SCALE: 3/4"=1'

9

TYP. SECTION

SCALE: 3/4"=1'

10



## SAY-CORE STANDARD HEADER