



Say-Core, Inc.



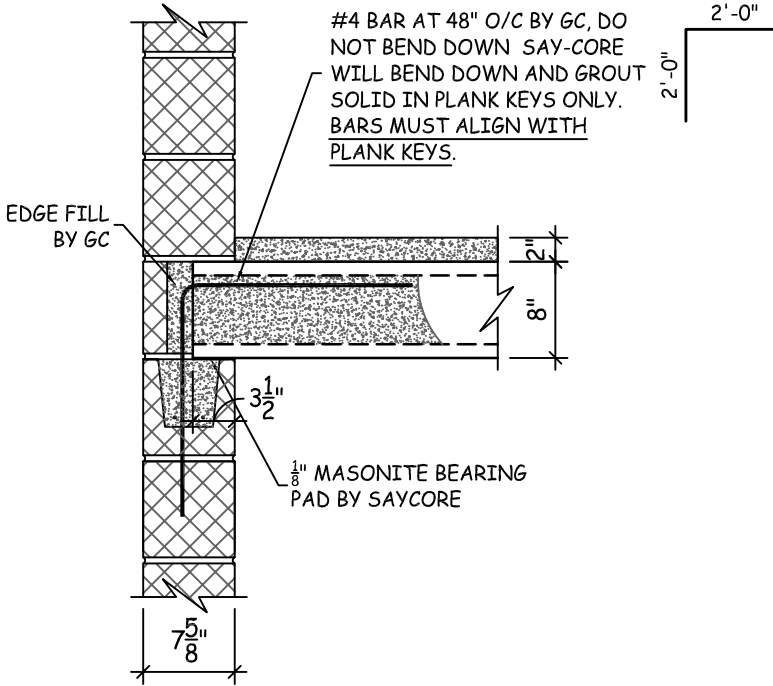
P.C.I. Certified Plant

Manufacturers of Precast Concrete Hollow-Core Plank

132 BLOCK ROAD
PORTAGE, PA 15946

www.saycore.com
draftingsaycore@hotmail.com

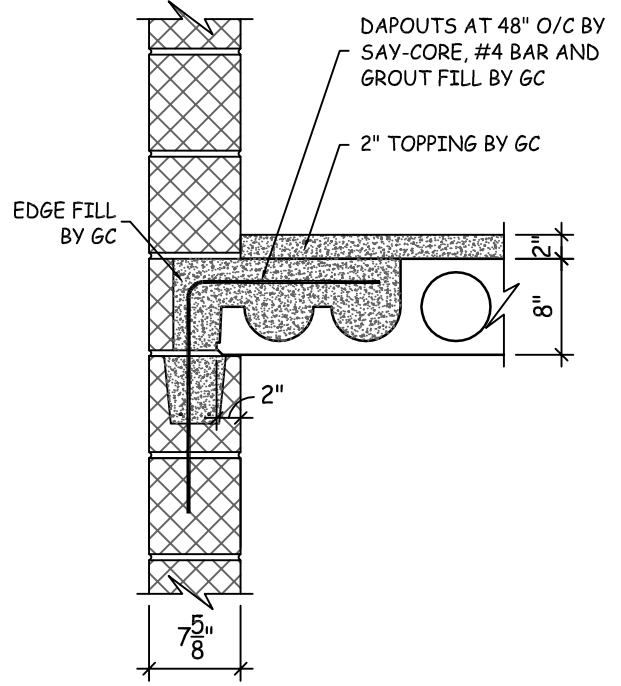
(814) 736-8018 OFFICE
(814) 736-8485 FAX



TYP. SECTION

SCALE: 3/4"=1'

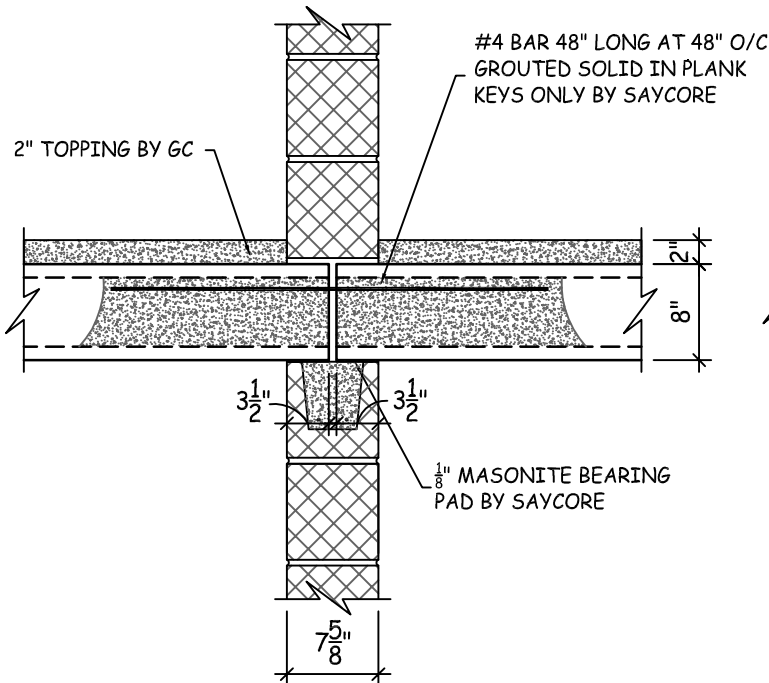
1



TYP. SECTION

SCALE: 3/4"=1'

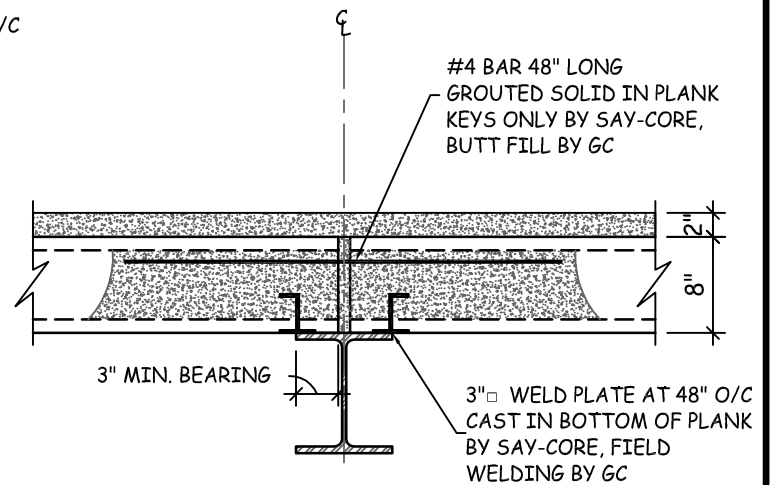
2



TYP. SECTION

SCALE: 3/4"=1'

3



TYP. SECTION

SCALE: 3/4"=1'

4